

Specification

Politainer®

Code No.

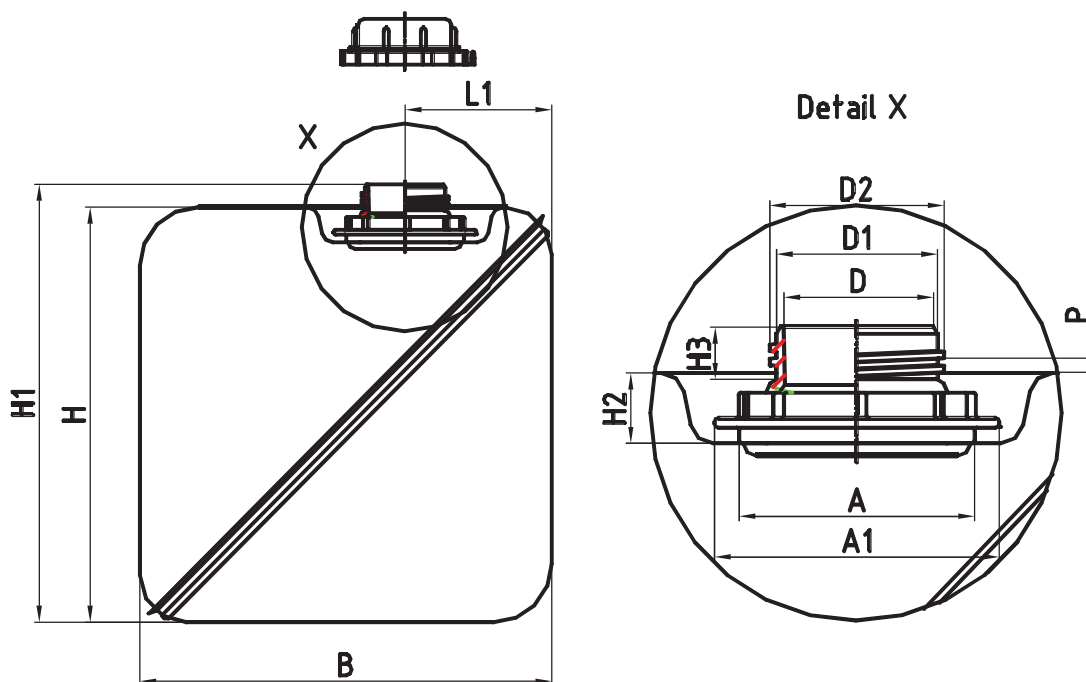
8050000107

Article

Politainer 05/31 C SA 1020/A

Abridged version:

Politainer 05/31 C SA 1020/A, natural, with neck (co8075, natural, without slip additive), snap ring (co8057, ivorywhite) and screw cap (co8012, natural) with tamper-proof features.



Drawing No. CU95-4-14.3

Measurements:**Measures in mm:****Tolerances:**

L	Length	181	(not shown)
B	Width	181	
H	Height Politainer	181	
H1	Height including Neck	190	(Neck not extracted)
H2	Cavity depth	15	
L1	Middle of neck	63	
D	Neck diameter	31,5	± 0,15
D1	Thread inside diameter	34,6	± 0,2
D2	Thread outside diameter	37,5	± 0,2
H3	Thread height	11,1	
P	Pitch	3	
A	Diameter snap ring	51,5	± 0,5
A1	Diameter snap ring	61,6	± 0,5
	Number of starts	1	
	Closure Torque in Nm	1,8	+ 0,2
	Nominal capacity in litre:	5	
	Brimful capacity in L:	see specification of box	

Copies to: KE (original documents file), Intranet (pdf-format)

This document is computer-generated and is valid without a signature.

Date: 31.01.12

Writer: K.Wiehe

translation of specification: 3

from: 31.01.12

Dept.: KE

8050000107

Specification

Politainer®

Code No.	8050000107	Article	Politainer 05/31 C SA 1020/A
----------	------------	---------	------------------------------

Weight in g:		
Including all parts	91,5	+ 5
Politainer insert	70	+ 5
Neck	9	
Snap ring	7	
Screw cap	5,5	see specification of screw cap

Design:	
Politainer: Closure: Box:	Manufactured from extruded LDPE, the LDPE liners are joined together and vacuum moulded to result in a "Cubic" Politainer with 'welding seams' running diagonally along two sides and two corner radiuses. The Politainer body is then joined to a neck fitting by pressure fit via a snap ring with tamper-proof. Both of these components are injection moulded. The Politainer features a neck area that can be pushed back in to the Politainer body post filling and this is recessed by a dimension of 15 mm. The corners of the Politainer are rounded. screw cap with tamper-proof features and moulded sealing lip as the injection moulded part. see specification of box

Material:	
Container: Neck: Snap ring: Screw cap: Gasket:	LDPE/EVA Copolymer + LLDPE Corner wallthickness min.0,16mm PE, natural PP, ivorywhite PP, natural

All materials are non-toxic and conform with the rules and regulations listed in our food contact statement.

Printing: -without-

UN-Mark: only in combination with a box

Signature : Recyclingsymbol/Politainer-size/date of the year/week of manufacture

Delivery: 9x25 and 1x15 pieces inverted in PE-Bags (pb8004), 240 pieces / delivery-box (pk8008) + 4 PE-Bags with 60 screw cap (co8012, natural), 6 or 8 delivery-boxes/expendable pallet (pp801) (800x1200mm).

Modification: Dimensions L/B/H and H1 according to the new 5l double-mould adapted (dimensions of the old mould were 178 and 186mm)! Drawing-No.changed! Weight of Politainer insert was 65g!

Replaces edition 2 of 17.05.11

Copies to: KE (original documents file), Intranet (pdf-format)			
This document is computer-generated and is valid without a signature.			
Date: 31.01.12	Writer: K.Wiehe	translation of specification: 3	from: 31.01.12
Dept.: KE	8050000107		
ISO\Dokument\D-005_01 Spezifikation 16.02.09			Page 2 of 2

Specification

Politainer®

Code No

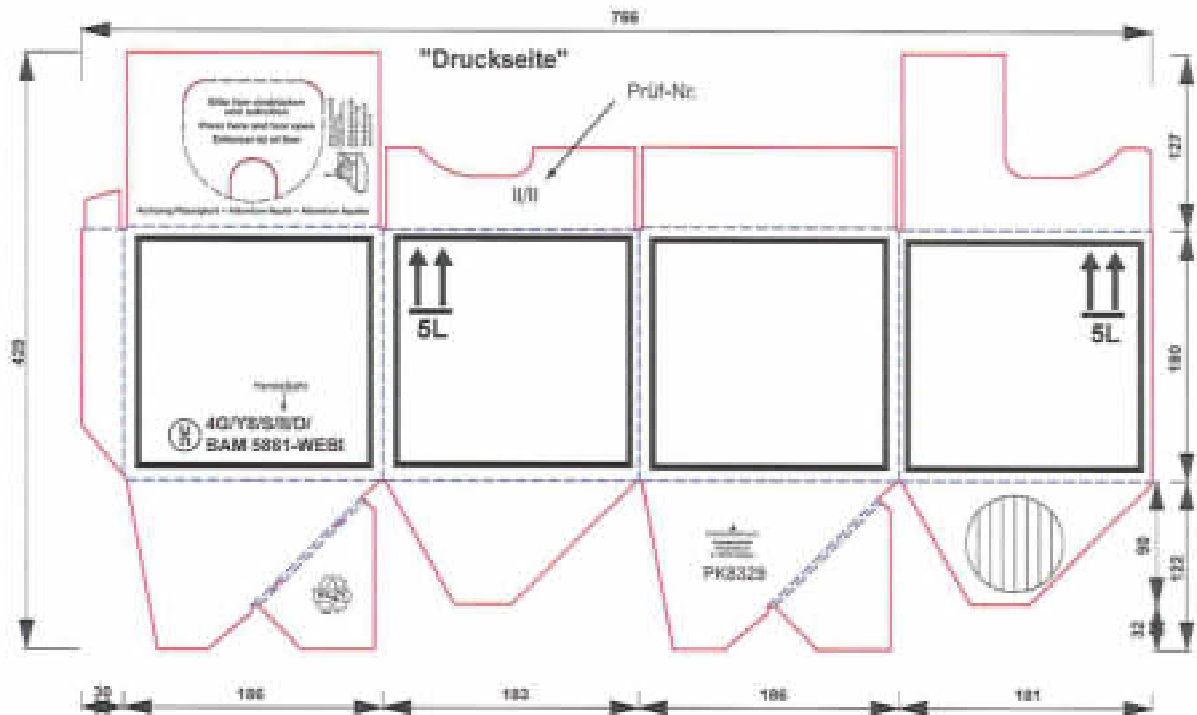
pk8329

Article

Box 5 l STANDARD

Abridged version:

box with automatic closing



Measurements:	Measures:	Unit:	Tolerances:
Measures inside	180 x 183 x 175	mm	± 3,0
Measures outside	186 x 189 x 188	mm	± 3,0
Weight	146	g	± 10%
Brimful capacity:	min.5	l	
Design:	folded-bottom box with automatic closing, flap with perforation for neck.		
Drawing:	prepress repro Webi		
Material:	186KI - 127Hz – 186KI		
Colours:	corrugated board: brown Print: 1-colour → black		
All materials are 94/62/EEC approved (content of heavy metal).			
Print:	block No.666		
UN-Mark:	4G/Y8/S/.../D/BAM 5861 - WEBI		
Signature:	surface of bottom: Resy-Symbol, 0065, Promens-logo/address, Code-No. sidewall: volume in litres, signature upside, filling indication, UN-Mark top side: note how to open the box (in three languages: german, english, french) (printed)		
Delivery:	3x2 pack / EU-Pal. – per pack 160 pieces = 960 pieces / EU-Pal.		
Modification:	--- Replaces Specification from		

Copies to:	KE (original documents file), Intranet (pdf-format)		
This document is computer-generated and is valid without a signature.			
Date: 21.07.11	Writer: K.Wiehe	translation of specification: 1	from: 21.07.11
Dept.: KE	pk8329.doc		
ISO\Document\D-005_01 Specification 16.02.09			Page 1 of 1